



LIBERTY® 1000 SERIES FAM 12-100 AND FAM 12-150

VALVE REGULATED LEAD-ACID BATTERY FOR STANDBY APPLICATIONS CAPACITIES OF 100 AND 150 AMPERE-HOURS



C&D Technologies' Standby Power Division front-access valve regulated lead-acid (VRLA) batteries are engineered to save end users both time and money by providing easy access to the battery terminals for installation and maintenance. Engineered with C&D's proven processes, these front-access batteries deliver performance, reliability and consistency over the life of the product.

FEATURES AND BENEFITS

- Front-access terminals with threaded copper inserts for lower resistance and allows for reduced maintenance and overall product longevity
- Certified "Non-Spillable" to DOT-CFR Title 49 parts 171-189 for reduced shipping costs via ground, air and water
- Flame retardant thermoplastic case with UL94 V-0 rating with a Limited Oxygen Index (LOI) of >28
- Positive grids cast from low calcium alloy for reduced gassing and long life
- 48VDC string designed to fit within 23" relay rack on battery trays for system flexibility
- Flame arresting one-way pressure vents for improved life and safety
- Automated thermally welded jar-to-cover seal with 100% testing for improved reliability
- Shipped at 95% capacity with no need to equalize at startup
- Shipped with tin-plated copper connectors and stainless steel hardware for reduced re-torque requirements
- Removable terminal covers with holes for quick measurements and added safety

SPECIFICATIONS

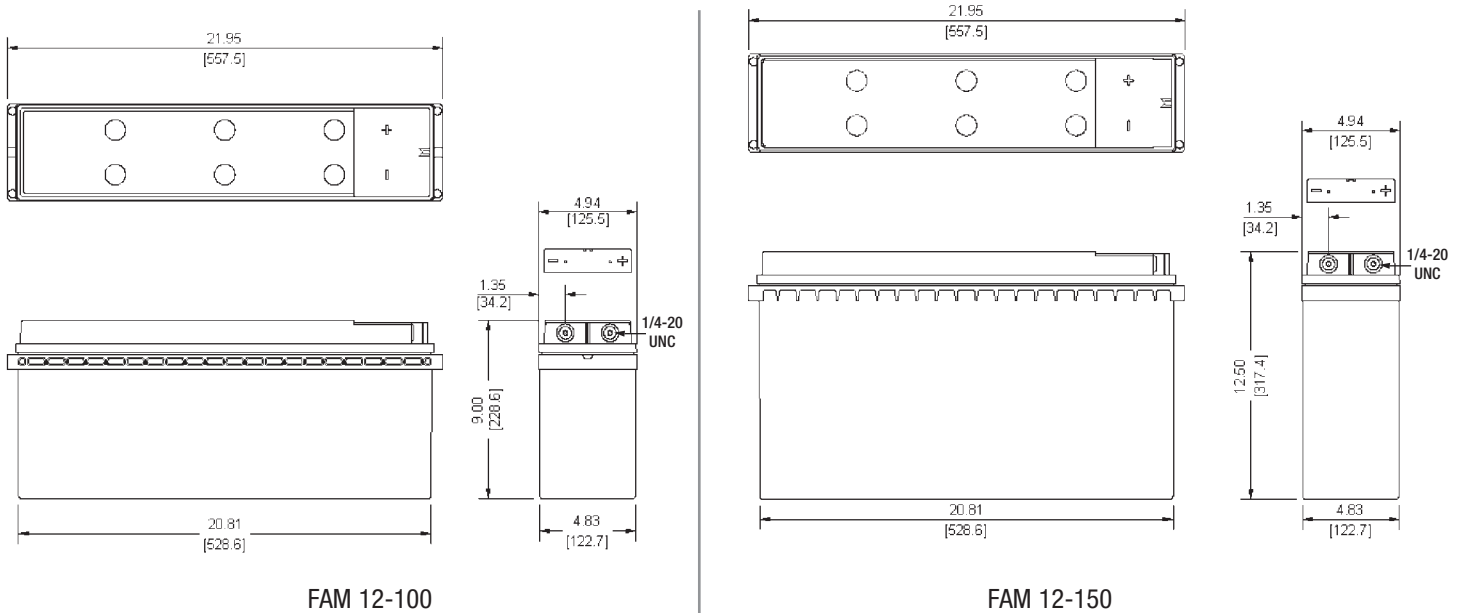
Electrolyte at 77F (25C)	1.300 specific gravity nominal sulfuric acid
System float voltages	2.23-2.27 volts per cell ± 0.02, recommended float 2.25
Life expectancy	>10 years full float service at 77F (25C)
Flame retardant container and cover	Flame-retardant, impact-resistant thermoplastic, UL94 V-0
Safety vent system	Low-pressure release valve
UL approved	Components tested to UL standards for batteries

Note: AC ripple current from the charger shall not exceed 5 percent of the 8-hour (ampere-hour) rating of the battery.

RATINGS IN AMPERES AT 77F (25C)

FV	Model	1 Hr	2 Hr	3 Hr	4 Hr	5 Hr	6 Hr	8 Hr
1.90	FAM 12-100	55.1	33.4	24.3	19.4	16.1	13.9	10.9
	FAM 12-150	85.3	54.4	40.4	32.3	27.0	23.2	18.2
1.85	FAM 12-100	61.3	36.8	26.7	21.1	17.6	15.1	11.8
	FAM 12-150	91.7	56.9	41.6	33	27.5	23.5	18.4
1.80	FAM 12-100	64.7	38.3	27.6	21.9	18.2	15.7	12.3
	FAM 12-150	96.2	58.4	42.4	33.5	27.8	23.8	18.6
1.75	FAM 12-100	66.3	39.1	28.1	22.2	18.5	15.9	12.4
	FAM 12-150	99.9	59.5	43.0	33.9	28.1	24.1	18.8

Note: Batteries are tested to provide a minimum of 95% of the 8-hour rated capacity to 1.75 VPC @ 77F (25C) at the time of shipment.



SPECIFICATIONS

Model	Nominal Voltage	Number of cells	Nominal Capacity 8hr to 1.75 @ 77F (25C)	Internal Resistance Ohms	Short Circuit Current Ampere	Positive Plate Thickness		Torque		Re-Torque		Cover & Container LOI	Weight lbs (kg)
						in	mm	in-lb	Nm	in-lb	Nm		
FAM 12-100	12 Volts	6	100	0.00042	4000	0.095	2.41	110.0	12.4	100.0	11.3	>28	80 (36)
FAM 12-150			150	0.00043	4610	0.148	3.80						161 (60)